



Ecograte®62 Molded Grating

Are you looking for a grating solution for docks, floats, piers, gangways or other decking that meets ADA guidelines and meets with ACOE requirements for an open area allowing proper light transmittance below the dock surface?

Fibergrate has multiple grating options to consider when building a dock, float, pier or gangway. Fibergrate's newest offering has been designed specifically for docks and marinas to address these guidelines and requirements.

Ecograte®62 molded grating, by Fibergrate, is 1" deep with a 3/4" x 4" rectangular mesh surface that provides a 62% open area. This exceeds the 60% minimum open area requirement set forth by the National Marine Fisheries Service and the U.S. Army Corps of Engineers for the Pacific Northwest for marine decking material light transmittance. The open area is an important factor in protecting seagrass and other shallow marine habitats beneath docks.

This product is available in both light gray and dark gray colors with a slip resistant surface. Ecograte62 is offered with a barefoot friendly aqua grit (sugar-grit) or a standard quartz grit surface for commercial applications. Fiberglass products are thermally non-conductive which also provides a comfortable walking surface unaffected by solar heat. The lightweight and high strength of FRP grating requires fewer supports and provides an overall lighter dock. This is an important consideration for floating docks as well as shipping and installation savings.

Fibergrate Composite Structures, the originator of molded fiberglass reinforced plastic (FRP) grating, has over five decades of experience manufacturing grating and other composite products. With in-house design, engineering and fabrication services, Fibergrate leads the industry in innovative solutions for numerous applications and industries. Throughout our history, Fibergrate has provided many products to marine, recreational and commercial customers. As our nation increasingly becomes more knowledgeable about our coastal and marine environments, Fibergrate has committed to producing products that will provide the best solution for both our customers and environment.



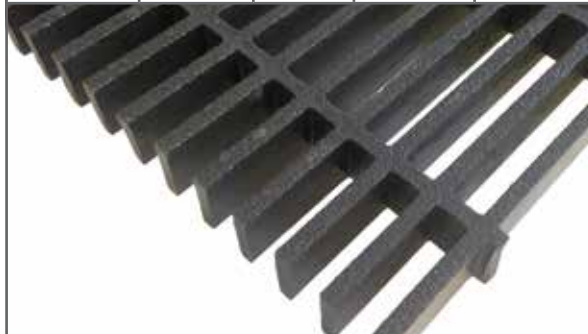
- ADA Compliant
- 62% Open Area
- Comfortable for Bare Feet
- Maximum UV Resistance
- Residential & Commercial Use

- Slip Resistant
- Corrosion Resistant
- Lightweight
- Low Maintenance
- Non-Conductive
- Storm Surge Friendly

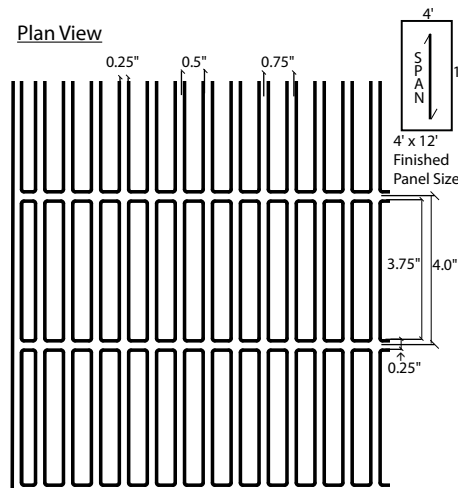
Details

1" Deep, 3/4" x 4" Rectangular Mesh

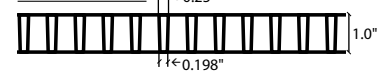
# of Bars/ Ft of Width	Load Bar Width	Open Area	Load Bar Centers	Approx. Weight
16	1/4"	62%	3/4"	3.0 psf



Plan View



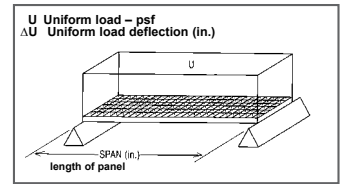
Elevation View



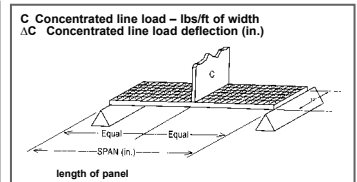


Load Tables - Ecograte®62 Molded Grating

1" x 3/4" x 4" Load Span Table - Uniform Loads										MAX RECOM. LOAD (psf)	ULTIMATE LOAD (psf)
CLEAR SPAN	UNIFORM LOAD (psf)										
(in)	50	65	100	150	200	300	500	1000	2000		
12	<0.01	<0.01	<0.01	<0.01	<0.01	0.01	0.02	0.04	0.08	2800	14040
18	0.01	0.01	0.02	0.03	0.04	0.06	0.10	0.20	0.40	1240	6200
24	0.03	0.04	0.06	0.09	0.12	0.18	0.30	--	--	700	3500
30	0.07	0.10	0.15	0.22	0.30	0.44	--	--	--	440	2200
36	0.15	0.20	0.31	0.46	--	--	--	--	--	310	1500
42	0.28	0.37	--	--	--	--	--	--	--	220	1100
48	0.48	--	--	--	--	--	--	--	--	170	800



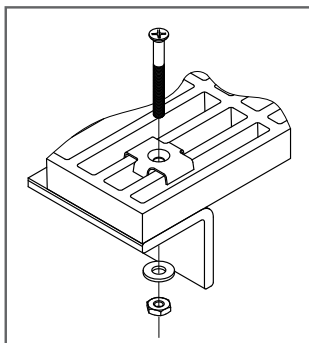
1" x 3/4" x 4" Load Span Table - Line Loads								MAX RECOM. LOAD (lb/ft)	ULTIMATE LOAD (lb/ft)
CLEAR SPAN	LINE LOAD (lb/ft of width)								
(in)	50	100	200	300	500	1000	2000		
12	<0.01	<0.01	0.01	0.02	0.03	0.07	0.13	1400	7020
18	0.01	0.02	0.04	0.06	0.11	0.21	0.43	930	4680
24	0.02	0.05	0.10	0.15	0.24	0.48	--	700	3510
30	0.05	0.09	0.19	0.28	0.47	--	--	560	2800
36	0.08	0.16	0.33	0.49	--	--	--	460	2340
42	0.13	0.26	--	--	--	--	--	400	2000
48	0.19	0.39	--	--	--	--	--	350	1750



NOTES:

- All gratings were tested in accordance with the ANSI Standard: FRP Composites Grating Manual for Pultruded and Molded Grating and Stair Treads.
- Maximum Recommended Load represents a 5:1 factor of safety on Ultimate Capacity.

Clip Assembly



Ecograte 62 molded grating does require an E-1 clip assembly (shown above) to secure the grating to a structure. The WLP clip assembly will also work.

Additional Products

When commercial loading is required or clear spans are greater than available with Fibergrate® molded products, certain pultruded grating products are a great alternative. These products are also manufactured to meet with USACE open area requirements for light transmittance. Fibergrate's SI60 pultruded grating offers a 60% open area. This product is available with a slip resistant grit top surface or a barefoot friendly (aqua grit) surface. SI60 pultruded grating is available in depths of 1" and 1-1/2" and comes in various standard panel sizes. SI60 also meets ADA guidelines, making it an excellent choice for public area applications. Additionally, Safe-T-Span® I6010 and I6015 pultruded grating provides high unidirectional strength and stiffness. Safe-T-Span I6010 and I6015 is also available in 1" and 1-1/2" depths with a 60% open area. The applied grit top surface allows for maximum slip resistance in wet or oily conditions.



407-595-5151 Phone
407-386-9669 Fax

www.fibergrate.com

DShear@Fibergrate.com

Fibergrate Composite Structures Inc. believes the information contained here to be true and accurate. Fibergrate makes no warranty, expressed or implied based on this literature and assumes no responsibility for consequential or incidental damages in the use of these products and systems described, including any warranty of merchantability or fitness. Information contained here is for evaluation only.

©Fibergrate Inc. 2015 Part No. 885122-07/17-0.5
Printed in the USA

